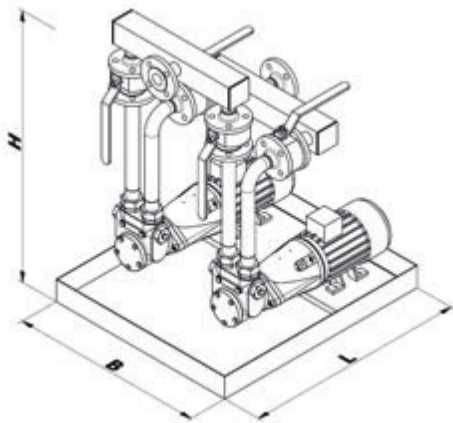


hp-Twin-pumping unit Series BIK



Pressure aggregate according to Scheme III with bypass connection for fuel oil EL + L - max. pressure 30 bar

Unit model	Device connections*		Discharge at 1400 RPM		used		Item No.:		Unit dimensions L x B [mm]	max. pressure [bar]
	screw-fitted	flanged	at 0 - 9 bar	at p _{max}	Pump model	Motor power [kW]	screw-fitted design	flanged design		
BIK 5201	Pipe Ø 12	-	45	30	VBR P	0.18	0520141	-	600x500	designed for max. pressure of 30 bar
BIK 5202	Pipe Ø 12	-	80	60	VBR M	0.18	0520142	-	600x500	
BIK 5203	Pipe Ø 12	-	120	100	VBR G	0.18	0520143	-	600x500	
BIK 5204	Pipe Ø 12	-	160	140	VBR F	0.37	0520144	-	600x500	
BIK 5205	Pipe Ø 18	DN 15	300	240	VBGR P	0.75	0520145	0520390	600x500	
BIK 5206	Pipe Ø 18	DN 15	450	390	VBGR M	0.75	0520146	0520391	600x500	
BIK 5207	Pipe Ø 18	DN 15	600	540	VBGR G	1.1	0520147	0520392	600x500	
BIK 5208	Pipe Ø 22	DN 25	1000	700	VBHR P	1.5	0520148	0520393	800x700	
BIK 5209	Pipe Ø 22	DN 25	1500	1200	VBHR M	2.2	0520149	0520394	800x700	
BIK 5210	Pipe Ø 22	DN 25	2000	1700	VBHR G	3.0	0520150	0520395	800x700	
BIK 5211	-	DN 32	3000	2200	VBHGR P	4.0	-	0520396	1800x1000	
BIK 5211-1	-	DN 32	3700	3000	VBHGR PZ	4.0	-	0520399	1800x1000	
BIK 5212	-	DN 32	4500	3600	VBHGR M	5.5	-	0520397	1800x1000	
BIK 5213	-	DN 40	6000	4800	VBHGR G	7.5	-	0520398	1800x1000	

Pressure aggregate according to Scheme III with bypass connection for fuel oil EL + L - max. pressure 40 bar

Unit model	Device connections*		Discharge at 1400 RPM		used		Item No.:		Unit dimensions L x B [mm]	max. pressure [bar]
	screw-fitted	flanged	at 0 - 9 bar	at p _{max}	Pump model	Motor power [kW]	screw-fitted design	flanged design		
BIK 5405	Pipe Ø 18	DN 15	300	200	VBGR P	0.75	0520154	0520410	600x500	designed for max. pressure of 40 bar
BIK 5406	Pipe Ø 18	DN 15	450	360	VBGR M	1.1	0520155	0520411	600x500	
BIK 5407	Pipe Ø 18	DN 15	600	480	VBGR G	1.5	0520156	0520412	600x500	
BIK 5408	Pipe Ø 22	DN 25	1000	600	VBHR P	2.2	0520157	0520413	800x700	
BIK 5409	Pipe Ø 22	DN 25	1500	1000	VBHR M	3.0	0520158	0520414	800x700	
BIK 5410	Pipe Ø 22	DN 25	2000	1400	VBHR G	4.0	0520159	0520415	800x700	
BIK 5411	-	DN 32	3000	2200	VBHGR P	5.5	-	0520416	1800x1000	
BIK 5411-1	-	DN 32	3700	2700	VBHGR PZ	5.5	-	0520418	1800x1000	
BIK 5412	-	DN 32	4500	3200	VBHGR M	7.5	-	0520417	1800x1000	

* To ensure the pump is working properly, the pipes must be scaled according to the principles of fluid dynamics by calculation of line according to the local requirements. The pump or device connection gives no indication of the relevant size of the pipe.

Motors used to IE 3, IP 55, 230/400 V from 4 kW 400/690 V, 50 Hz can also be used in 60 Hz operation – other voltages, frequencies and protection types on request.
 Specifications for dimensions are guidelines, we will send the actual setup diagram when the order is placed.
 Other designs or accessories (e.g. double filters, solenoid valves etc.) can be planned and provided on request.