

# MBC 5100 block-type compact pressure switches



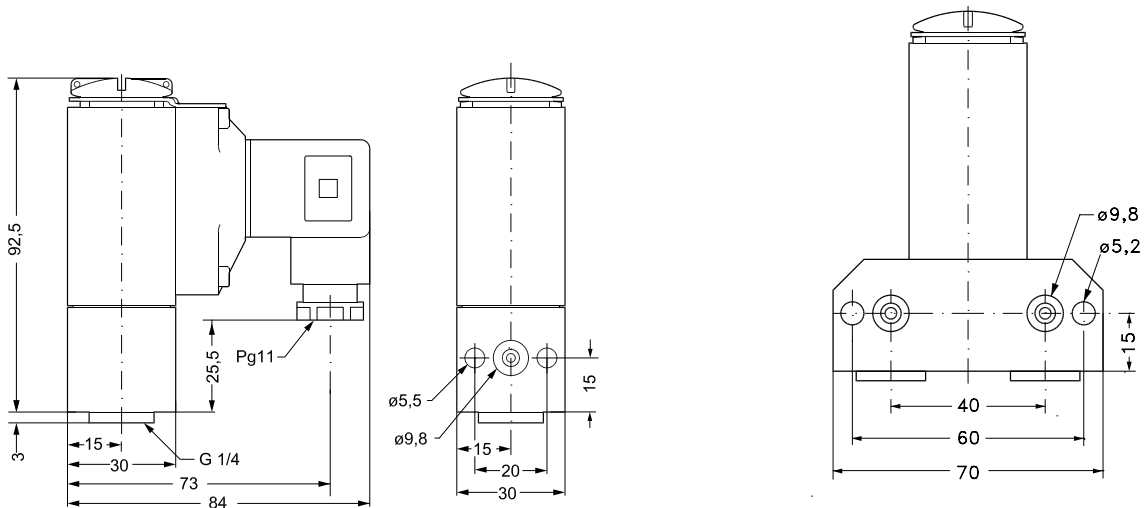
MBC pressure switches are used in industry and marine applications where space and reliability are the most important features. MBCs are compact pressure switches, designed according to our new block design to survive in the harsh conditions known from machine rooms onboard ships.

MBCs have high vibration resistance and feature all commonly marine approvals. The fixed, but low differential guarantees accurate monitoring of critical pressures. MBV test valves can be delivered as standard option for MBC pressure switches.

- All relevant marine approvals
- Pressure range: -0.2 – 400 bar
- Low differential (fixed) micro switch
- Resistant to shock and vibrations
- Enclosure IP65
- Diaphragm version for applications with pulsations/pressure peaks
- Compact design
- Low installations costs
- Fast and easy to operate
- Easy to mount on block test valve
- Available as differential pressure switch

## Dimensions and weight:

Weight: 0.4 kg.



All dimensions in millimetres

Approvals: CE marked in accordance with EN60947-5. All relevant marine approvals

## MBC 5100 block-type compact pressure switches

Contact function: Single pole double throw (SPDT)

Contact material: Silver

Loads: AC-15 (inductive) 0.5A, 250V

Plug Pg 11. Other electrical connections available on request



Setting range $P_e$ [bar]	Differential at min. range setting [bar]	Differential at max. range setting [bar]	Max. working pressure $P_e$ [bar]	Connection		Code number
				G ¼ A	Flange	
<b>Low pressure bellows. Ambient temperature: -40 – 85 °C. Media temperature: -40 – 85 °C</b>						
-0.2 – 1	0.15	0.45	15	✓	✓	<b>061B000566</b>
-0.2 – 4	0.15	0.45	15	✓	✓	<b>061B000466</b>
-0.2 – 4	0.15	0.45	15	✓		<b>061B001066</b>
-0.2 – 10	0.15	0.6	15	✓	✓	<b>061B000266</b>
<b>Low pressure diaphragm. Ambient temperature: -10 – 85 °C. Media temperature: -10 – 85 °C</b>						
1 – 10	0.30	2.5	150	✓	✓	<b>061B100466</b>
1 – 10	0.30	2.5	150	✓		<b>061B100866</b>
5 – 20	0.4	2.5	150	✓	✓	<b>061B100266</b>
<b>High pressure diaphragm. Ambient temperature: -10 – 85 °C. Media temperature: -10 – 85 °C</b>						
5 – 40	1.0	7	150	✓	✓	<b>061B100566</b>
10 – 100	1.7	14	150	✓	✓	<b>061B100366</b>
<b>High pressure piston. Ambient temperature: -40 – 85 °C. Media temperature: -40 – 85 °C</b>						
16 – 160	12	30	600	✓		<b>061B510066</b>
25 – 250	12	40	600	✓		<b>061B510166</b>
40 – 400	15	50	600	✓		<b>061B510266</b>



## MBC 5180 block-type differential pressure switch

Setting range $P_e$ [bar]	Operating range LP side $P_e$ [bar]	Max. working pressure $P_e$ [bar]	Connection		Code number
			G ¼ A	G ¼ A w. flange	
<b>Ambient temperature: -10 – 85 °C. Media temperature: -10 – 85 °C</b>					
0.3 – 5	0 – 30	45		✓	<b>061B128066</b>
0.3 – 5	0 – 30	45	✓		<b>061B129066</b>

## Spareparts for MBC5100

Type	Description	Code number
Pulse-snobber	Male, G ¼ A, length 20 mm	<b>061B400101</b>
Pulse-snobber	Male, G ¼ A, length 34 mm	<b>061B400201</b>
Pulse-snobber	For flange connection	<b>061B722101</b>



# The MBC 8100 compact thermostats

MBC 8100 thermostats are suitable for use in monitoring and alarm systems in factories, diesel plants, compressors and power stations, as well as in marine applications.

## Alarm and monitoring

As part of alarm and control circuits, the switches give signals within narrow non-drifting limits, typically in lubrication and cooling oil applications, including diesel engines and gear boxes.

## Compact space-saving solution

The block design allows packed mounting, providing a high degree of integrity for your machinery.

## Excellent vibration and shock resistance

Ideal for heavy-duty applications, the MBC 8100's high vibration resistance increases the reliability of the entire system.

## Adjustable range with fixed differential

The MBC 8100 comes pre-set from the factory, but it also has an adjustable range and low fixed differential for accurate monitoring of critical temperatures.

## Resistance

The sensor pocket is available in brass or stainless steel.



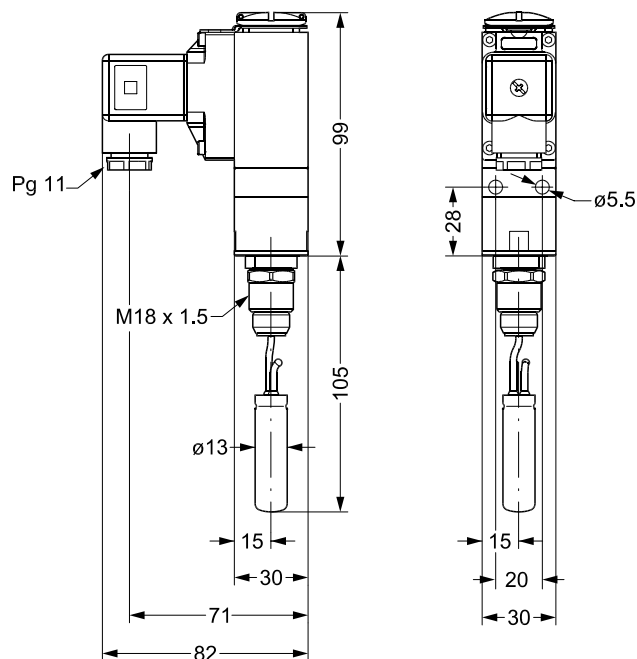
# MBC 8100 block-type compact thermostats for marine applications



MBC 8100 thermostats are used in marine applications where space and reliability are the most important features. MBCs are compact thermostats, designed according to our new block design to survive in the harsh conditions known from machine rooms onboard ships. MBCs have high vibration resistance and feature all commonly marine approvals. The fixed, but low differential guarantees accurate monitoring of critical temperatures.

- Block design
- Fully electromechanical
- Temperature range: -10 – 200 °C
- Available with all relevant marine approvals
- Designed to meet the strict demands in the marine equipment

## Dimensions and weight:



All dimensions in millimetres

Approvals: CE marked in accordance with EN60947-5. All relevant marine approvals.

## MBC 8100 block-type compact thermostats

**Contact function:** Single pole double throw (SPDT)  
**Loads:** AC-15 (inductive) 0.5A, 250V  
**Ambient temperature:** -40 – 70 °C  
**Enclosure:** IP65  
**Electrical connection:** Plug Pg 11. Other connections available on request.



### MBC 8100 with rigid sensor

Temp. setting range [°C]	Fixed diff. [°C]	Max. sensor temp. [°C]	Sensor size (ø x L) [mm]	Sensor pocket, length [mm]	Code number
20 – 60	3	130	13 x 50	75	<b>061B800266</b>
50 – 100	4	200	13 x 50	75	<b>061B800366</b>
60 – 150	6	250	13 x 50	75	<b>061B800566</b>
70 – 120	5	220	13 x 50	75	<b>061B800466</b>



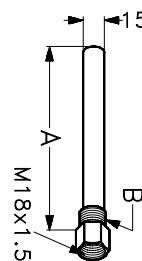
### MBC 8100 with armoured capillary tube, length: 2 m

Temp. setting range [°C]	Fixed diff. [°C]	Max. sensor temp. [°C]	Sensor size (ø x L) [mm]	Code number
-10 – 30	3	80	13 x 50	<b>061B810166</b>
20 – 60	3	130	13 x 50	<b>061B810266</b>
50 – 100	4	200	13 x 50	<b>061B810366</b>
70 – 120	5	220	13 x 50	<b>061B810466</b>
60 – 150	6	250	13 x 50	<b>061B810566</b>

## Spareparts and accessories for MBC 8100 thermostats

### Sensor pockets without stuffing box

Pocket length - A [mm]	Pocket thread - B		Pocket material		Code number
	G ½ A	G ¾ A	Brass	18/8 steel	
75	✓		✓		<b>060L326266</b>
75		✓	✓		<b>060L326666</b>
110	✓		✓		<b>060L327166</b>
160	✓		✓		<b>060L326366</b>
200	✓		✓		<b>060L320666</b>
250	✓		✓		<b>060L325466</b>
75	✓			✓	<b>060L326766</b>
110	✓			✓	<b>060L326866</b>
160	✓			✓	<b>060L326966</b>



### Stuffing box kits



Description	Code number
For MBC thermostats with armoured capillary tube	<b>060L036666</b>