

hp-Overflow valves of Series BV

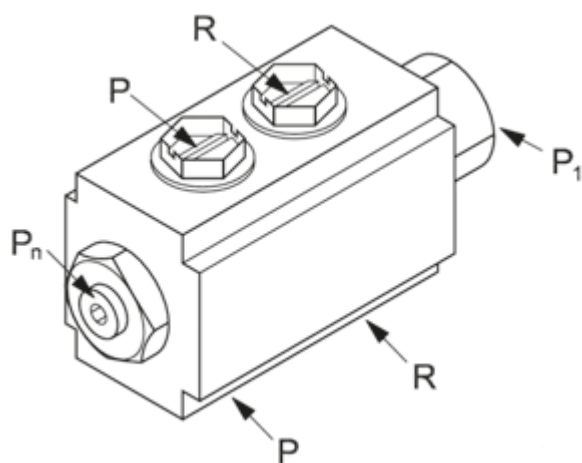
Type of actuation E: with adjustment screw

For lubricating and hydraulic oils and many other self-lubricating non-corrosive fluids. For heating oils EL, L, M, S and ES, coal tar oils, kerosene.

Maximum temperature of fluid medium: 150°C

Material: casing (GGG 40); certificate 3.1 on request;
piston, valve tip, spring of hardened steel

Function: Directly-controlled, spring-loaded overflow valve for maintaining a set operating pressure or a set maximum pressure in a pressure pipe.



- R Bypass connection G 3/4"
- P Delivery output G 3/4"
- P_n Manometer connection G 1/4"
- P₁ Pressure regulation (under cover screw)

BV valve		
Viscosity range	(mm ² /s)	1.3 - 700
Flow rate	l/h	300 -2000
Pressure range	bar	2-9 / 6-25 / 15-40
Factory setting	bar	minimum pressure
Weight		3.8 kg
max. oil temperature	°C	150
Ambient temperature	°C	-10 + +90
Storage temperature	°C	-20 + +60

Item No.
0250330

