

hp-Overflow valves with flanged connection

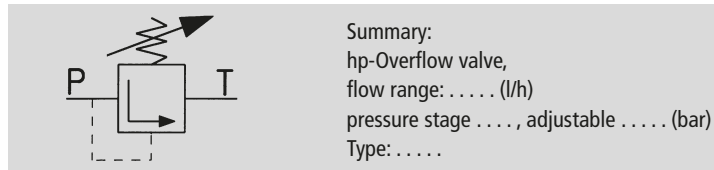
Type of actuation E: with adjustment screw

For lubricating and hydraulic oils and many other self-lubricating non-corrosive fluids. For heating oils EL, L, M, S and ES, coal tar oils, kerosene.

Maximum temperature of fluid medium: 150 °C.

Material: Casing made of hydraulic cast iron (GGG40)
piston, valve tip, spring of hardened steel.

Function: Directly-controlled, spring-loaded overflow valve
for maintaining a set operating pressure or
a set maximum pressure in a pressure pipe.



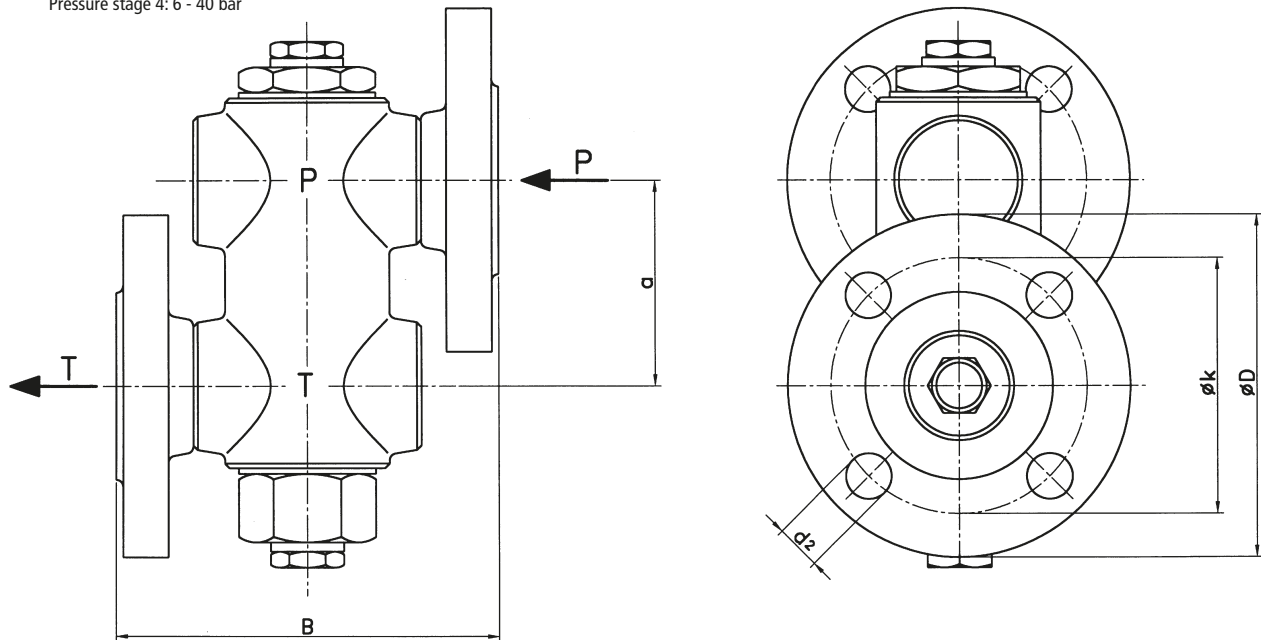
Model	Possible pressure stages for each model	Flange DIN2635 PN 40	Flow range ²⁾ l/h	Viscosity range ²⁾ cSt	Item No.
FDR 15 - E -	0 = 0.5 - 1.5 bar	DN 15 ¹⁾	30 - 600	2.8 to 480	0270001
FDR 20 - E - ³⁾	1 = 1 - 4 bar	DN 20 ¹⁾	100 - 2000	2.8 to 480	0270002
FDR 25 - E -	2 = 2 - 9 bar	DN 25 ¹⁾	300 - 6000	2.8 to 480	0270003
FDR 32 - E -	3 = 6 - 25 bar	DN 32 ¹⁾	500 - 10000	2.8 to 480	0270004
FDR 50 - E - ⁴⁾	4 = 15 - 40 bar	DN 50	8000 - 20000	2.8 to 480	0270006

¹⁾ Counterflange with seal + screws must be ordered separately

²⁾ For curves see page 31

³⁾ Not pressure stage 0, for pressure stage 1: 0.5 - 3.5 bar, all further pressure stages according to table

⁴⁾ Only with: Pressure stage 1: 1 - 4 bar
Pressure stage 2: 2 - 9 bar
Pressure stage 4: 6 - 40 bar



Size table

Model	with hp-Overflow valve	a	b	DIN flange DIN 2635	Ø D	Ø k	Ø d	suitable Counter flange from PN 10 - 40 to DIN EN 1092
FDR 15	B - G = 1/2"	55	92	DN 15	95	65	14	
FDR 20	B - GH = 3/4"	63	118	DN 20	105	75	14	
FDR 25	B - GHG = 1"	80	134	DN 25	115	85	14	
FDR 32	B - GHG = 1 1/4"	80	138	DN 32	140	100	18	
FDR 50		140	205	DN 50	165	125	18	

For installation, operation and maintenance, follow the operating instructions that come with each piece of equipment.