

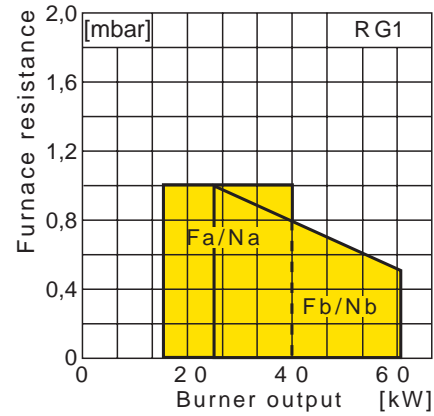
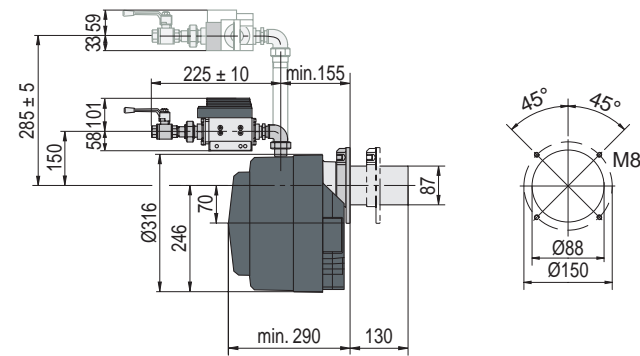
Enertech GmbH
Giersch / Electro_Oil
Adjutantenkamp 18
58675 Hemer
Phone +49 (0)2372/965-0
Telefax +49(0)2372/61240
info@giersch.de
www.giersch.de

Technical specifications

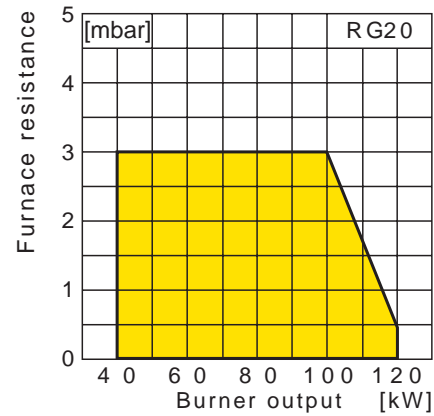
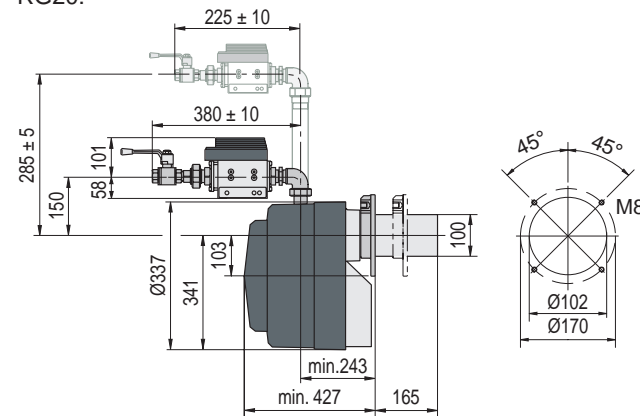
All dimensions in mm.

working ranges tested in accordance with DIN EN 676

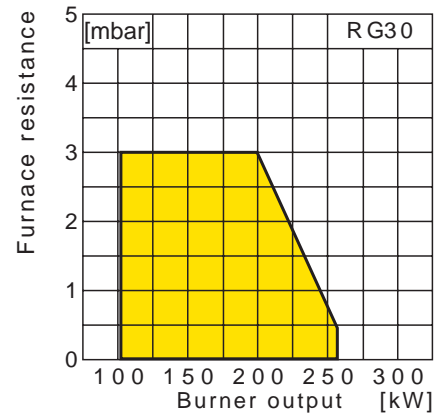
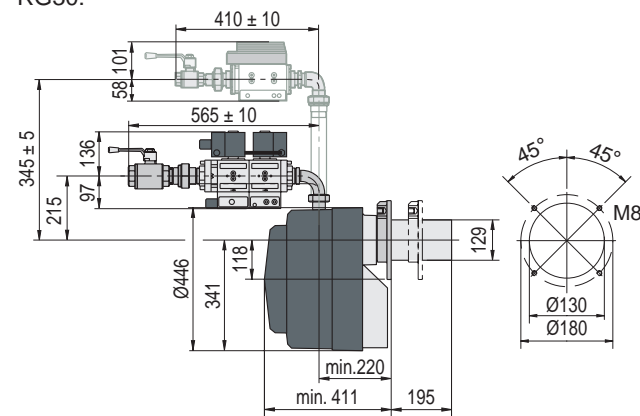
RG1:



RG20:



RG30:



Connection specifications:

Connected flow pressure:

---Natural gas: 20-50mbar

---Liquid gas: 50mbar

Max. supply pressure: 100mbar

Voltage:

1/N/PE ~ 50 Hz 230 V

**»A series for all situations.
RG compact
all-gas burners.
Typical for GIERSCH.«**



Right reserved to effect technical modifications • 094/11-00 • Art. no. 72-21-57203-GB • Printed in Germany • GIERSCH GmbH

Series RG

»Universally usable: The RG series of all- gas burners«

Suitable for natural gas, liquid gas or town gas, for a low or high heat requirement, for a heating boiler or industrial applications, for new installations or for conversion from oil to gas.

The RG series is supplied complete with high-grade valve fittings, the requisite connection elbows, unions and gas ball cock.

The burner concept provides two-stage or modulating operation. The burner gives off more or less power depending on the heat requirement. Burner starts and the prescavenging losses and startup emissions associated with them are reduced to a minimum. The annual utilization ratio is increased. The modulating output control operates with a gas/air compound. Combustion is constant over the entire working range. The pressure-stable blower ensures safe startup behaviour.

GIERSCH does not invest only in intelligent solutions to technical problems, but also in production, high-grade materials, careful assembly and strict final inspection with unerring inspection methods. Every GIERSCH gas burner is tested complete with flame at our works and is preset to a low output. All things that make the difference that provides GIERSCH quality.

The gas burners RG are equipped for the following modes of operation:

RG1 for single-stage operation

RG20 for single-stage, two-stage or modulating operation

RG30 for single-stage, two-stage or modulating operation

Optical adjusting aid

Dimension scale "A" on the burner makes setting as easy as can be. Setting is effected with just one screw.

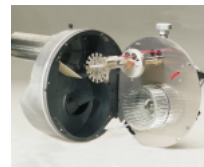


Plug connection

All electrical connections are non-interchangeable.

Servicing position

A few hand movements are sufficient to hook the baseplate in the servicing position. All components are freely accessible.



Tidy arrangement

of all components on the base plate. All electrical connections are plug connections.

Gas line

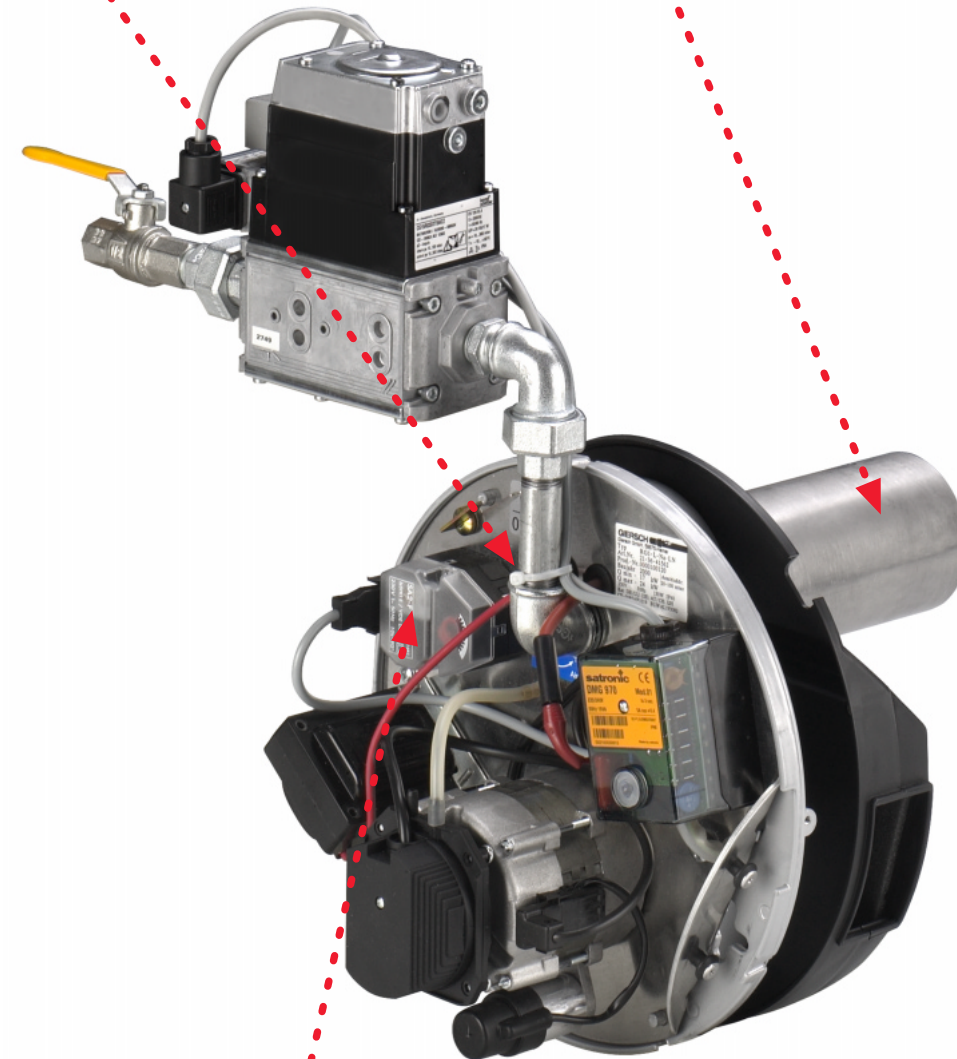
Being in the form of a compact unit, the gas line definitively excludes any assembly errors. The compact unit guarantees maximum safety. Everything is sealed tight, tested and preset. The electrical connection is a plug connection.

All-gas mixing device

The special mixing devices guarantee optimized combustion values for natural gas and liquid gas.

Sliding flange

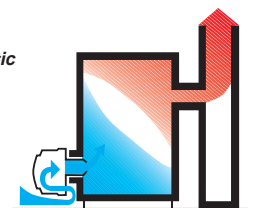
The intrusion depth of the burner pipe can be adapted to any furnace.



GIERSCH automatic economizer

The air flap with a servo-drive. The air flap which is controlled by the servomotor prevents the furnace from cooling down during stoppage times.

without the automatic economizer:
Cold air cools the furnace.



with the GIERSCH automatic economizer:
The boiler stays warm between heating-up periods. This saves energy and is environmentally friendly.

